

QUALITY IRRIGATION
PRODUCTS

ISO 9001:2008 CERTIFIED

2920 Airway Ave, Costa Mesa, Ca. 92626
phone: 714.437.9600 fax: 714.437.9700



FINAL DRIVE GEARBOX



760 SERIES HEAVY DUTY WHEEL BOX

760-U 50:1
760-UV 52:1

Evaluation Specifications

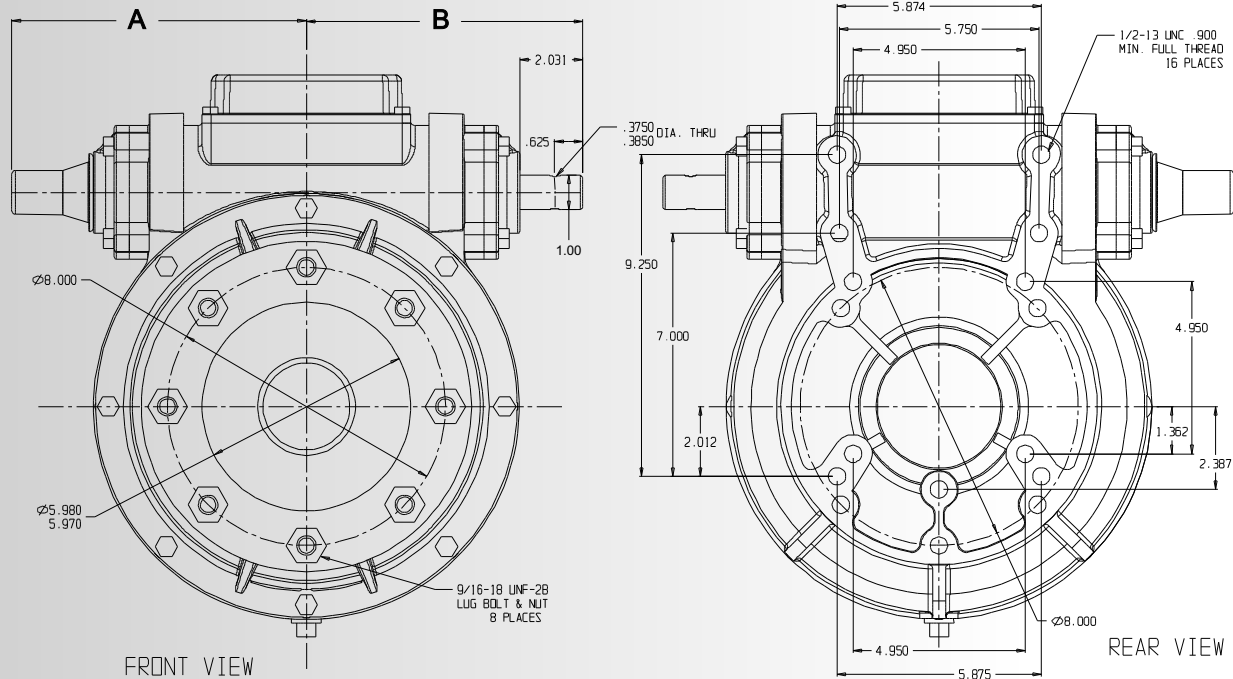
- ▲ "NEW" External UV Resistant dust seals on Input and Output shafts
- ▲ Precision ground 2.5" output shaft.
- ▲ 50:1 and 52:1 Ratio H.D. gear set.
- ▲ Dual end input shaft.
- ▲ Full cycle expansion chamber.
- ▲ Taper roller bearings.
- ▲ Special crop guard seals.
- ▲ Each gearbox filled with extreme pressure gear oil.
- ▲ High strength cast iron bolt on end caps.
- ▲ High strength steel worm and output shafts.
- ▲ Input shaft guard included.
- ▲ Optional bronze gear.

THE RECOMMENDED GEARBOX FOR CORNER AND HOSE PULL SYSTEMS.

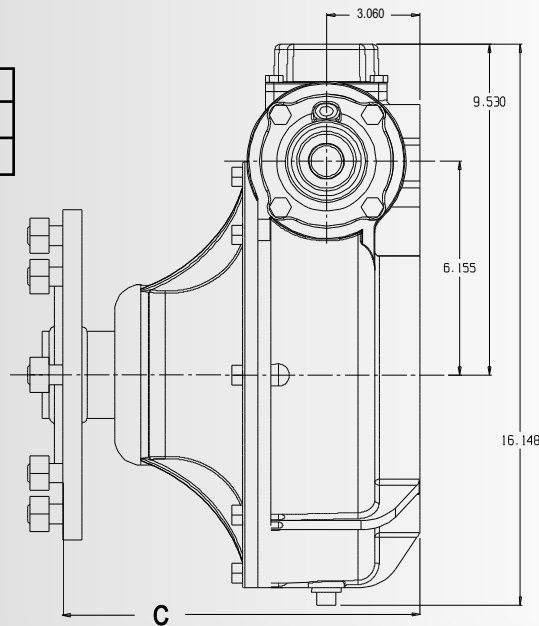
CONTACT UMC AT SALES@UMCPRODUCTS.COM

Dimensional Drawing

760 SERIES FINAL DRIVE GEARBOX

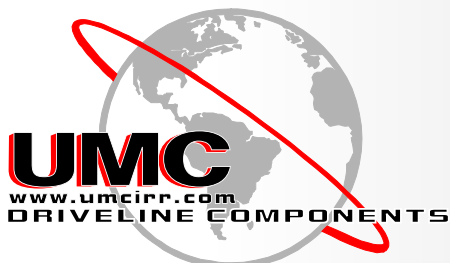


Model	A	B	C
50:1	8.471	8.125	10.81
52:1	X	X	X



Fits most Lindsay, Valmont, Reinke, and Lockwood applications.

CONTACT UMC AT SALES@UMCPRODUCTS.COM



Universal Motion Components, Co. Inc.
 2920 Airway Ave, Costa Mesa, Ca. 92626
 Phone: 714.437.9600 Fax: 714.437.9700
 Web: <http://www.umcproducts.com>
 E-mail: sales@umcproducts.com