

**740 SERIES**

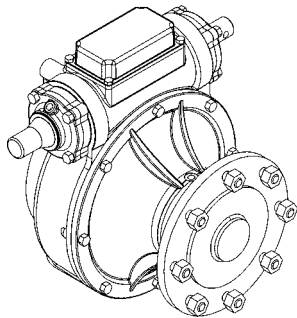
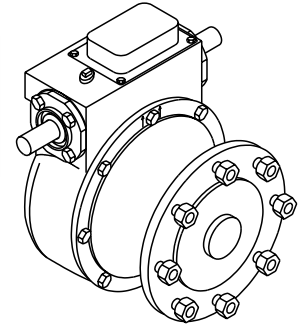
- Extra heavy duty wheel box for heavier towers.
- Heavy duty worm input bearings.
- 2 1/4" or 2 1/2" output shaft.

- Tested loads in excess of 125,000 in.-lbs.
- Special crop guard seals on all shafts.
- Universal multimount bolt pattern.
- Full cycle expansion chamber or high capacity chamber.

**730 SERIES**

- 2 1/2" output shaft.
- Expansion chamber or high capacity chamber.
- Input shaft guard included.

- High strength steel output shaft and forged worm.
- Universal multimount bolt pattern.
- Available with towable hub.



**760 SERIES**

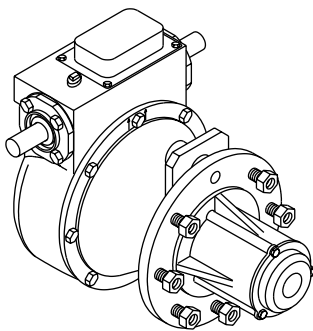
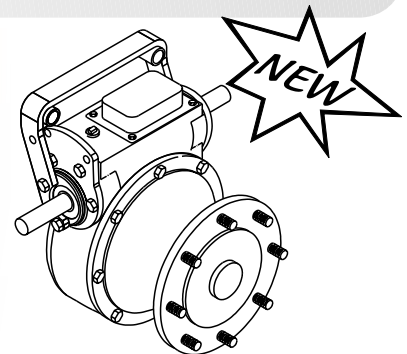
- Precision ground 2 1/2" output shaft.
- Static load tested in excess of 145,000 in.-lbs.
- Optional bronze gear.
- Dual O.P. and I.P. seal with external grease lube capabilities.

- Bolt pattern fits all pivots and lateral / linear systems.
- Includes A-110 bolt pattern.
- Full cycle expansion chamber.

**T-N-T**

- Universal mount fits most systems.
- Available in 50:1 and 52:1 ratios.
- Positive lock in both tow and non-tow positions.

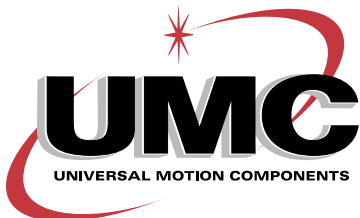
- Easy to disengage for towing
- Lighter than standard towable units.
- Available with hydraulic adapter.



**725 SERIES**

- 725 UT model shown, available in non tow.
- Extended length hub design allows greater bearing spacing to accommodate higher load requirements.
- 50:1 and 52:1 gear ratios available.

- Available with internal expansion chamber or high capacity chamber.
- Peak torque in excess of 69,000 in.-lbs.
- High Strength cast iron bolt-on end caps.
- Dual Input seals.

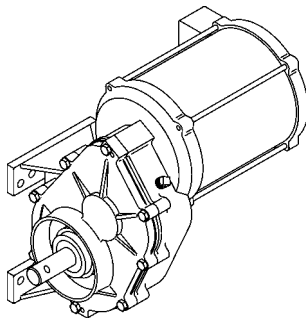


**UNIVERSAL MOTION COMPONENTS, Co. Inc.**

350 Kalmus Drive, Costa Mesa, Ca. 92626

Phone: (714) 437-9600 Fax: (714) 437-9700

Web: <http://www.umcproducts.com> E-mail: [Sales@umcproducts.com](mailto:Sales@umcproducts.com)



- Thermally protected.
- Ratios: 20:1, 30:1, 40:1, 50:1 & 60:1 available.
- Horse power 1/2 to 1 1/2.
- Class F rated insulation.
- CSA Approved.
- Efficiency 95%.

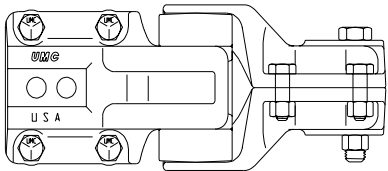
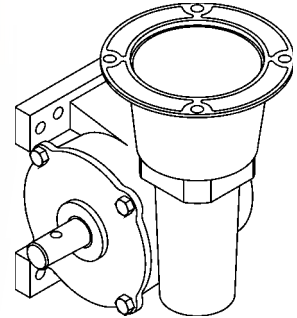
POWER SAVER III

- Multiple mount bolt pattern.
- All critical connections encapsulated to resist moisture penetration.
- Stainless steel motor housing available.

CENTER DRIVE

- Includes shock absorbing motor coupler.
- Accepts NEMA 56-C face motors
- Multiple mount plate bolt patterns.

- High strength aluminum bronze bull gear.
- Painted for added corrosion resistance.
- Ratios: 30, 40, 50, & 60:1



- Available with our standard insert or the new higher torque, longer life insert.
- Squex bolts allow easy access to tighten nuts and creates unique bolt anti-rotation feature.

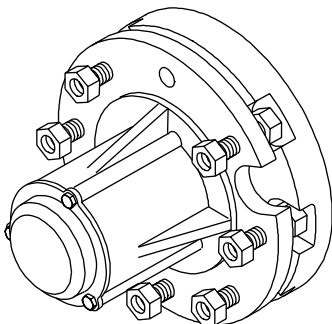
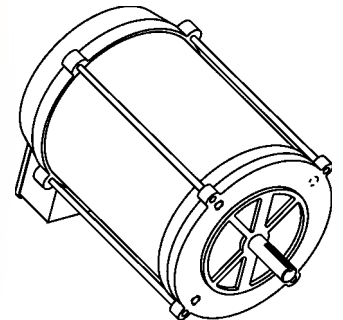
DRIVELINE COUPLER

- Special self aligning feature.
- Weather-resistant insert, not sensitive to UV rays or fertilizer and chemicals.

ELECTRIC MOTOR

- All critical electrical connections encapsulated to resist moisture penetration.
- Thermally protected; automatic reset.

- CSA approved.
- Class F rated insulation.
- Each motor Hi-Pot tested.



- NEW: Extended length design.
- Converts standard center pivot drives into towables.
- Heavy duty cast steel shaft

BOLT ON TOWABLE HUB

- Bolt-on hub cap secured with three 1/4-20 bolts.
- Pin & bracket sold separately.



UNIVERSAL MOTION COMPONENTS, Co. Inc.

350 Kalmus Drive, Costa Mesa, Ca. 92626

Phone: (714) 437-9600 Fax: (714) 437-9700

Web: <http://www.umcproducts.com> E-mail: [Sales@umcproducts.com](mailto:Sales@umcproducts.com)