

Ullage Hatch



Raised 8" and 10" Ullage Hatches

The Ullage hatch is a strong and secure method of enclosing a tank compartment while still providing easy single bolt operation for inspection or measuring of cargo. Available in 8" and 10" diameters.

Features

- Tumble Bolt - Bronze
- Dog Handle - Steel
- Lug Bolt 5/8-11 - Bronze
- Lug Nut 5-8-11 - Stainless Steel
- Washer - Stainless Steel
- Gasket - Nitrile Rubber

Ullage hatches are commonly found welded to the top of a raised watertight hatch or on top of the cargo compartments of tank barges. They are typically used as a vent or an inspection port to measure or verify cargo as well as fill a tank.

Cover: ASTM- A27- 60-30 Cast Steel
Coaming: Steel (ASTM A36)
Painted Primer Grey

Various standard coaming heights available (Custom coaming heights available upon request).

Other gasket material available upon request.

Various hardware options available:

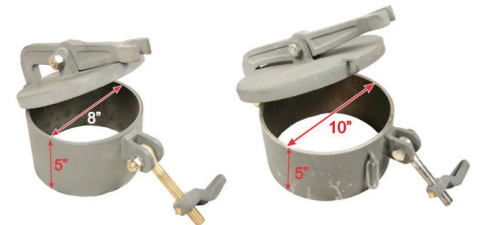
- Steel, Stainless Steel, & Bronze Dog Handles (available with or without grease fittings).
- Bronze & Stainless Steel Tumble Bolts.
- Lug Bolts and nuts made from dissimilar metals to prevent galling and corrosion.

Flame screens available upon request (sold separately).

UMC-144, UMC-569



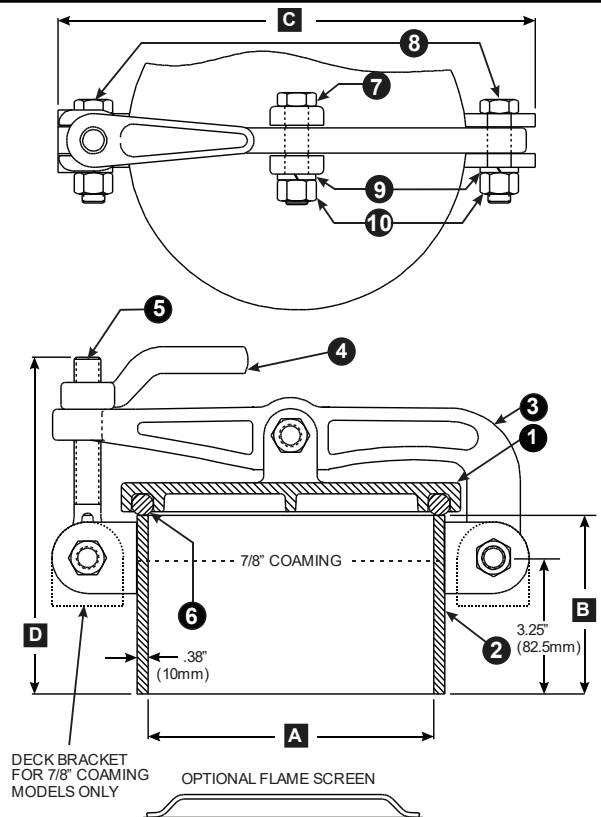
Model Number	Part Number	Description	Clear Opening In. (mm)	Weight Total Lbs (Kgs.)
UMC-144	01242-102A	8" Round Ullage w/ 7/8" Coaming	8" (203)	21 (10)
UMC-144-SS	01242-102S	8" Round Ullage w/ 7/8" Coaming (Stainless Steel)	8" (203)	21 (10)
UMC-144-5	01242-104B	8" Round Ullage w/ 5" Coaming	8" (203)	33 (15)
UMC-144-5-SS	01242-104S	8" Round Ullage w/ 5" Coaming (Stainless Steel)	8" (203)	33 (15)
UMC-144-12	01242-116A	8" Round Ullage w/ 12" Coaming	8" (203)	49 (22)
UMC-569-5	01243-101A	10" Round Ullage w/ 5" Coaming	10" (254)	40 (18)
UMC-569-5-SS	01243-101S	10" Round Ullage w/ 5" Coaming (Stainless Steel)	10" (254)	40 (18)



Model Number	UMC-144	UMC-144-5	UMC-144-12	UMC-144-SS	UMC-144-5-SS	UMC-569-5	UMC-569-5-SS
Part Number	01242-102A	01242-104B	01242-116A	01242-102S	01242-104S	01243-101A	01243-101S
A in. (mm)	8" (203)	8" (203)	8" (203)	8" (203)	8" (203)	10.12" (257)	10.12" (257)
B in. (mm)	7/8" (22)	5" (127)	12" (305)	7/8" (22)	5" (127)	5" (127)	5" (127)
C in. (mm)	14" (356)	14" (356)	14" (356)	14" (356)	14" (356)	15.47" (392)	15.47" (392)
D in. (mm)	6.68" (162)	9.38" (238)	16.38" (416)	6.38" (162)	9.38" (238)	9.38" (238)	9.38" (238)
1- Cover	01242-302A (ST)	01242-302A (ST)	01242-302A (ST)	01242-302B (SS)	01242-302B (SS)	01243-301A (ST)	01243-301B (SS)
2- Coaming	01242-201A (ST)	01242-404A (ST)	01242-401A (ST)	01242-201B (SS)	01242-201B (SS)	01243-201A (ST)	01243-201B (SS)
3-Arm	01242-301A (ST)	01242-305A (ST)	01242-305A (ST)	01242-301B (SS)	01242-301B (SS)	01243-302A (ST)	01243-302B (SS)
4-Dog Handle	01240-302A (BR)	01240-312A w/Zerk (ST)	01240-302A (ST)	01240-302C (SS)	01240-302C (SS)	01240-302C (SS)	01240-302C (SS)
5-Tumble Bolt	01240-201A (BR)	01240-210A (BR)	01240-210A (BR)	01240-201 (BR)	01240-201 (BR)	01240-210B (SS)	01240-210A (BR)
6-Gasket	01242-701A (NR)	01242-701A (NR)	01242-701A (NR)	01242-701A (NR)	01242-701A (NR)	01243-702B &701B (NR)	01243-702B &701B (NR)
7-Arm Bolt	5/8-11 x 2-3/4 (ZP)	5/8-11 x 2-3/4 (SS)	5/8-11 x 2-3/4 (BR)	M16-2 x 65 mm (SS)	M16-2 x 65 mm (SS)	5/8-11 x 2-3/4 (SS)	5/8-11 x 2-3/4 (SS)
8-Hing Bolt	5/8-11 x 2-1/2 (ZP)	5/8-11 x 2-1/2 (SS)	5/8-11 x 2-1/2 (BR)	M16-2 x 70 mm (SS)	M16-2 x 70 mm (SS)	5/8-11 x 2-1/2 (SS)	5/8-11 x 2-1/2 (SS)
9-Lock Washer	5/8 (SS)	5/8 (SS)	5/8 (SS)	5/8 (SS)	5/8 (SS)	5/8 (SS)	5/8 (SS)
10-Nut	5/8-11 (SS)	5/8-11 (SS)	5/8-11 (SS)	M16-2 (BR)	M16-2 (BR)	5/8-11 (SS)	5/8-11 (SS)
Flame Screen	01242-203A (SS)	01242-203A (SS)	01242-203A (SS)	01242-203A (SS)	01242-203A (SS)	01243-202A (SS)	01243-202A (SS)

Material Index:

(ST) Steel (BR) Bronze / Brass (ZP) Zinc Plated Steel
(SS) Stainless Steel (NR) Nitrile Rubber



UMC Marine | A division of Universal Motion Components Co., Inc.

June 2, 2016 9:30 AM

EMAIL US
sales@umcmarine.com

VISIT US ONLINE
umcmarine.com

CALL US
714 437 9600

FAX US
714 437 9700